



Temperature sensor

Part no. CSEZ-01/01
Catalog No. 265643

EL-Nummer (Norway) 4560560

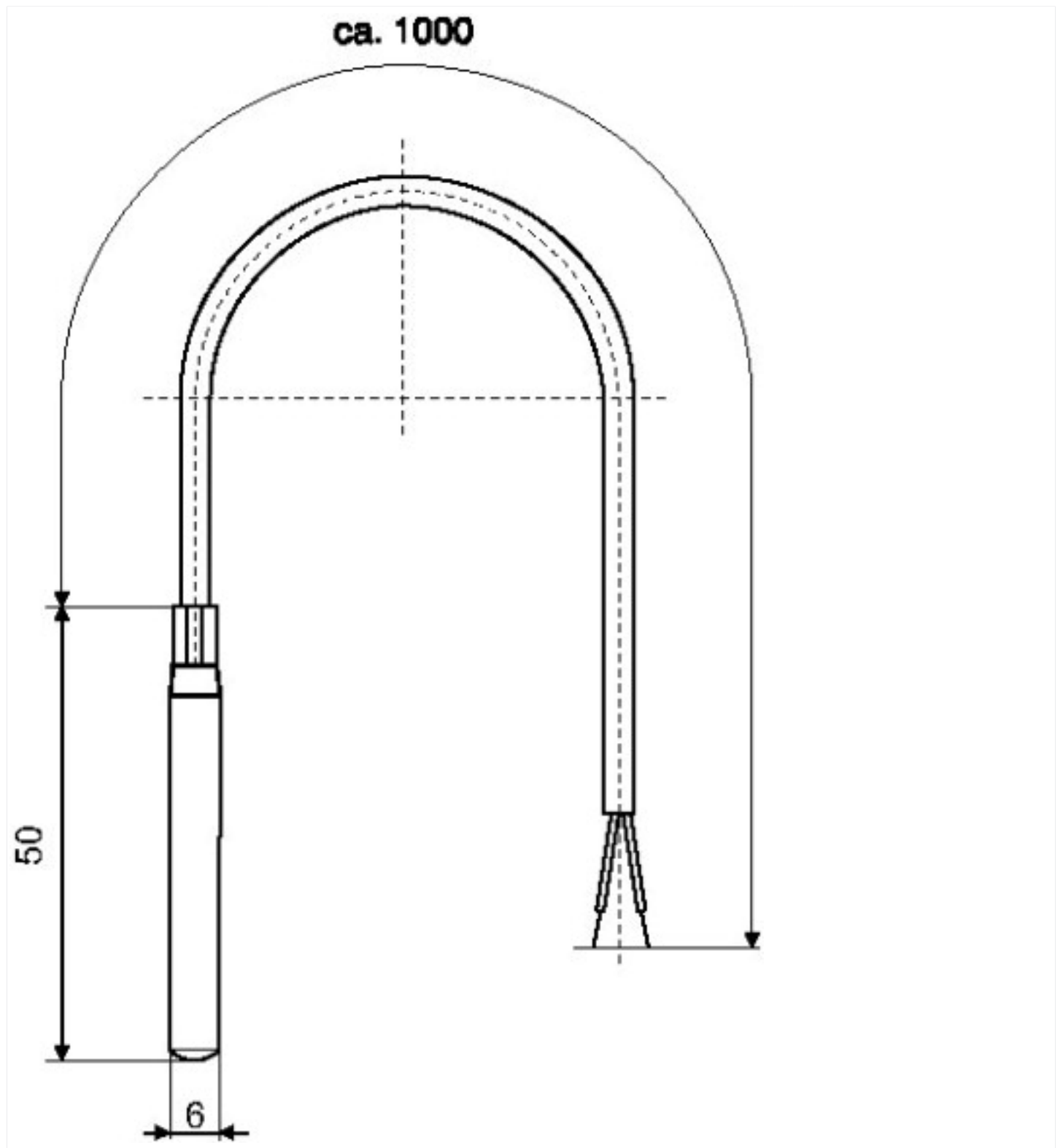
Delivery program

Product Type		Sensor
Sensor Type		Temperature

Technical data ETIM 8.0

Installation bus systems (EG000032) / Physical sensor for bus system (EC000926)		
Electric engineering, automation, process control engineering / Electrical installation, device / Bus system / Physical sensor for bus system (ecl@ss10.0.1-27-14-31-37 [AKE305014])		
Bus system KNX		No
Bus system KNX radio		No
Bus system radio frequent		No
Bus system LON		No
Bus system Powernet		No
Other bus systems		None
Radio frequent bidirectional		No
Model		Temperature sensor
Mounting method		Other
With bus connection		No
With DCF77		No
Acoustic signal		No
With heating		No
Colour		Black
RAL-number (similar)		9005
Analogue input		No
Number of digital inputs		0
Weather station		No
Degree of protection (IP)		IP54

Dimensions



Additional product information (links)

(IL019023ZU)CTEU

(IL019023ZU)CTEU

https://es-assets.eaton.com/DOCUMENTATION/AWA_INSTRUCTIONS/MA136211023_2018_02.pdf